



ISITSAN
BUILT IN APPLIANCES

ANELLO

OWA34



- * Built-in oven
- * Black, white or inox color
- * 9 Programs
- * Multifunctional with slim panel
- * Digital touch timer
- * Standart/Deep tray/Chrome grid
- * Telescopic tray
- * Cooling fan/ Turbo fan
- * Pop-up knobs
- * Defrost
- * A class energy
- * 68 lt. capacity
- * Low-E energy-saving glass
- * Plug-in easy to clean interior glass
- * Easy side racks



ALGA

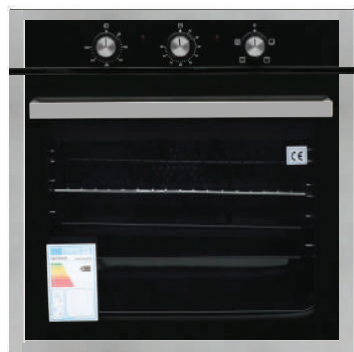
OWA32(Digital)



- * Built-in oven
- * Black, white or inox color
- * 5 Programs
- * Multifunctional with slim panel
- * Digital control panel
- * Standart/Deep tray/Chrome grid
- * Telescopic tray
- * Cooling fan/ Turbo fan
- * Pop-up knobs
- * Defrost
- * A class energy
- * 68 lt. capacity
- * Low-E energy-saving glass
- * Plug-in easy to clean interior glass
- * Easy side racks

ALGA

OWA32



- * Built-in oven
- * Black, white or inox color
- * 5 Programs
- * Multifunctional with slim panel
- * Mechanical timer
- * Standart/Deep tray/Chrome grid
- * Telescopic tray
- * Cooling fan/ Turbo fan
- * Pop-up knobs
- * Defrost
- * A class energy
- * 68 lt. capacity
- * Low-E energy-saving glass
- * Plug-in easy to clean interior glass
- * Easy side racks



ALENA

OWA22



- * Built-in oven
- * Black, white or inox color
- * 4 Programs
- * Slim panel
- * Standart/Deep tray/Chrome grid
- * Telescopic tray
- * Cooling fan
- * Pop-up knobs
- * Defrost
- * A class energy
- * 68 lt. capacity
- * Low-E energy-saving glass
- * Plug-in easy to clean interior glass
- * Easy side racks



RETROLINE

OWA35



PRO

- * Built-in oven
- * Anthracite or Beige color
- * 5 Programs
- * Multifunctional with slim panel
- * Mechanical control panel
- * Standart/Deep tray/Chrome grid
- * Telescopic tray
- * Cooling fan/ Turbo fan
- * Pop-up knobs
- * Defrost
- * A class energy
- * 68 lt. capacity
- * Low-E energy-saving glass
- * Plug-in easy to clean interior glass
- * Easy side racks



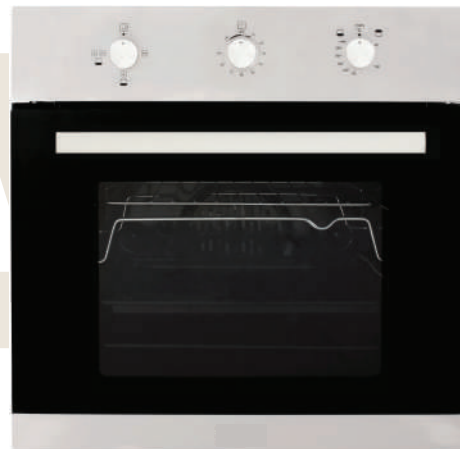
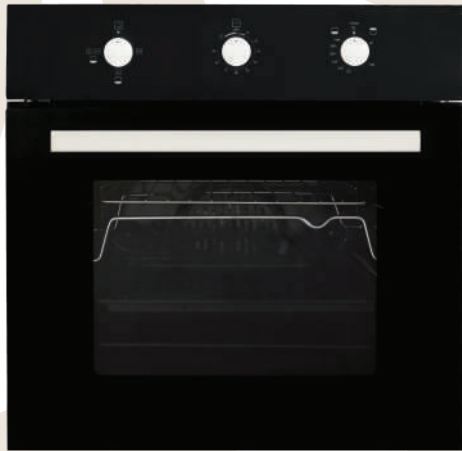
LINE



ASTRO GAS

OWA25

- * Built-in glass oven
- * Gas oven
- * Mechanical control panel
- * 3 Programs
- * Functional
- * Standart/Deep tray/Chrome grid
- * Cooling fan/Turbo fan
- * A class energy
- * 68 lt. capacity
- * Low-E energy-saving glass
- * Plug-in easy to clean interior glass
- * Easy cleaned to wire racks



New generation built-in appliances



ISITSAN
BUILT IN APPLIANCES

COOKER HOODS

ITALIAN DESIGN

The design of Isitsan products is a result of a joint evaluation with European companies, notably Italian, with which we are in cooperation. Therefore our designs become different and the products were selected because of their modern line.

MECHANICAL SUPERIORITY

We are supporting the different design of our products with its mechanical power. From the inner parts, to the motor power, the used materials, the endurance and quality, which are represented separately in all parts of the production and all parts of all our products ,

therefore we can offer our products with inner peace.

CREATING DIFFERENCE IN TECHNOLOGY

Creating a difference in technology means to catch the change on time or even before. Followers of our technology show us that we are on the right way. The upper technology used by us, results in ease of use, comfort and efficiency for those, who selected our products.





ISITSAN
BUILT IN APPLIANCES

ISIT'SAN

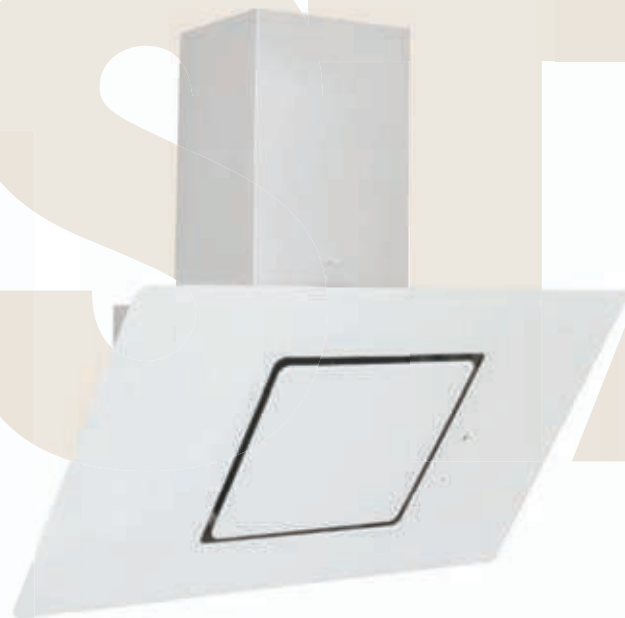
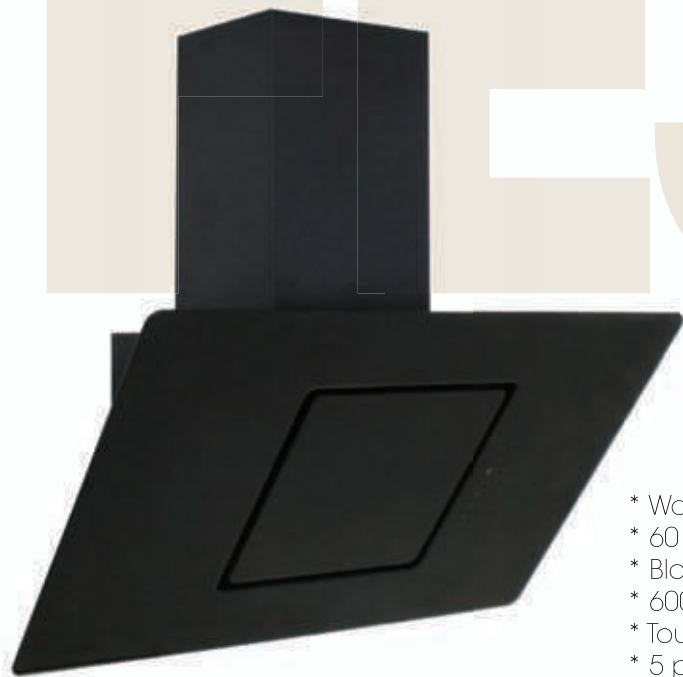
BUILT IN APPLIANCES

Very special hoods, convert the design of geometry into aesthetic.

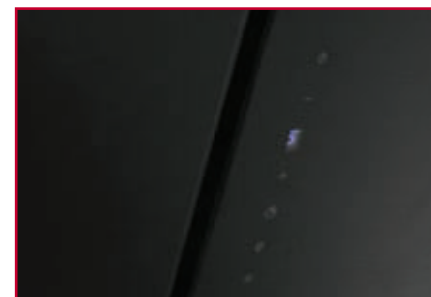
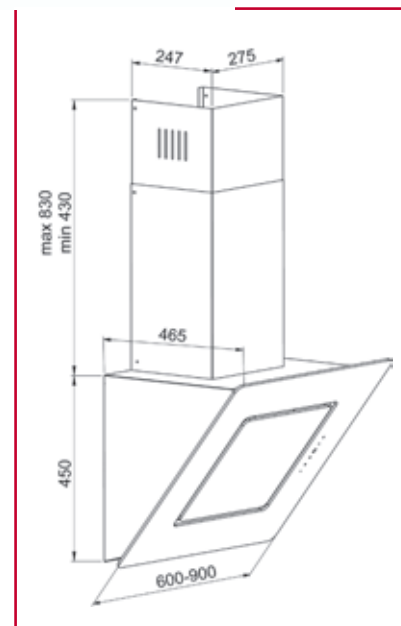


FESTA

CLA15



- * Wall Mounted Cooker Hood
- * 60 - 90 cm
- * Black or white colour
- * 600 - 1000m³/h
- * Touch control
- * 5 power levels
- * Led lighting
- * Chimney outlet 150mm NRV System
- * 150/120 mm chimney outlet
- * Aluminium filter
- * Turbo - timer function
- * Filter saturation warning
- * Remote control
- * Optional carbon filter



ISITSAN

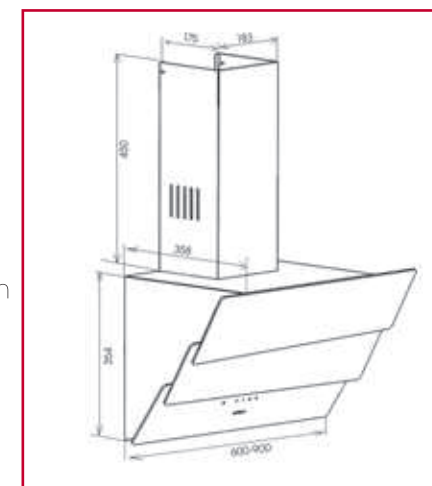
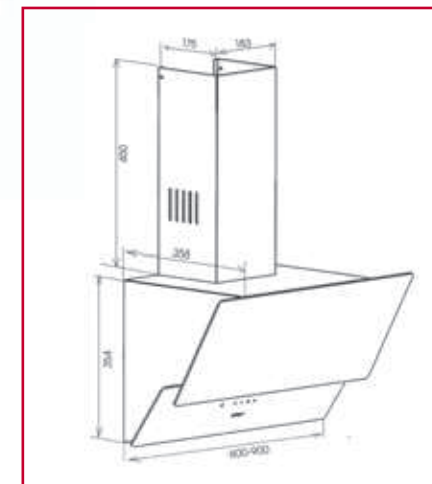
BUILT IN APPLIANCES

Fabia model fits in every kitchen,
no matter how it is designed.



FALCON

CLA26 / CLA27



- * Wall Mounted Cooker Hood
- * 60 - 90 cm
- * Black or white colour
- * 500m³/h
- * Touch or PBE (Push Button) control
- * 3 power levels
- * Bulb lighting
- * Chimney outlet 150mm NRV System
- * 150/120 mm chimney outlet
- * Aluminium filter
- * Turbo - timer function
- * Filter saturation warning
- * Remote control
- * Optional carbon filter



Isitsan a hoods turn
kitchens into living area...

FORTE

CLA29

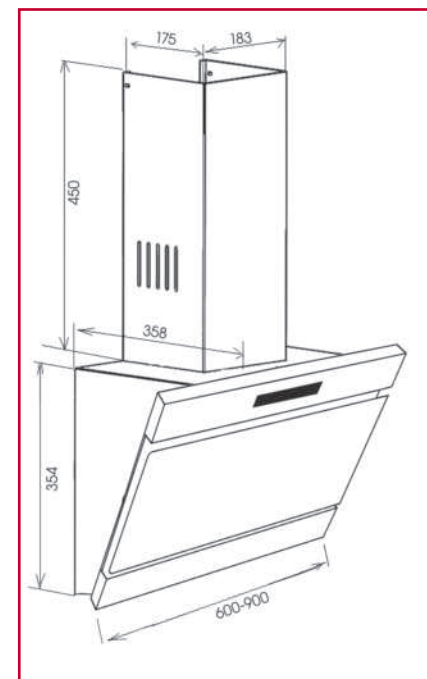
FORTE



FORTE



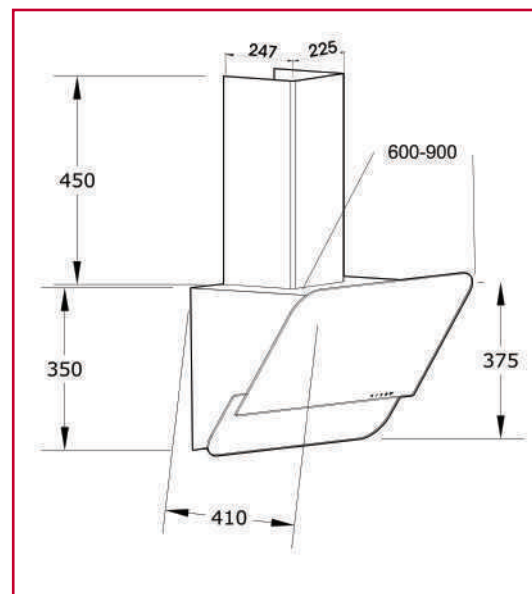
- * Wall Mounted Cooker Hood
- * 60 - 90 cm
- * Black, white, beige colour
- * 600 - 1000m³/h
- * PB (Push Button) control
- * 3 power levels
- * Led lighting
- * Chimney outlet 150mm NRV System
- * 150/120 mm chimney outlet
- * Aluminium filter
- * Optional carbon filter



FARFALLA CLA30



- * Wall Mounted Cooker Hood
- * 60 - 90 cm
- * Black, white, beige colour
- * 600 - 1000m³/h
- * PB (Push Button) control
- * 3 power levels
- * Led lighting
- * Chimney outlet 150mm NRV System
- * 150/120 mm chimney outlet
- * Aluminium filter
- * Optional carbon filter

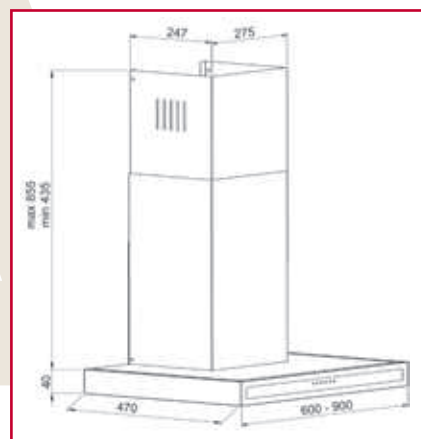




Powerful hoods,
change
the air of your
kitchen without
breaking the
silence.

OPERA

CL25 / CL24 / CL11



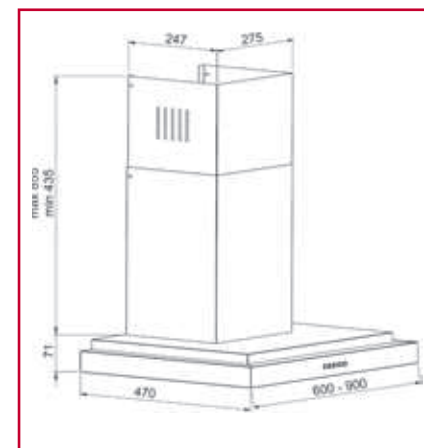
- * Wall Mounted Cooker Hood
- * 60 - 90 cm
- * Inox body
- * 600 - 1000m³/h
- * Touch or PB (Push Button) control
- * 3 or 5 power levels
- * Halogen lighting
- * Chimney outlet 150mm NRV System
- * 150/120 mm chimney outlet
- * Aluminium filter
- * Turbo - timer function
- * Filter saturation warning
- * Remote control
- * Optional carbon filter

OLMO

CL17

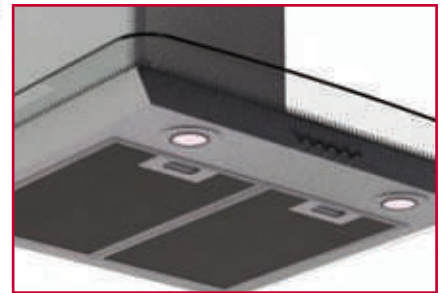


- * Wall Mounted Cooker Hood
- * 60 - 90 cm
- * Inox body
- * 600 - 1000m³/h
- * PB (Push Button) control
- * 3 power levels
- * Led lighting
- * Chimney outlet 150mm NRV System
- * 150/120 mm chimney outlet
- * Aluminium filter
- * Optional carbon filter



ARTE

CL12 / CL42 / CL32

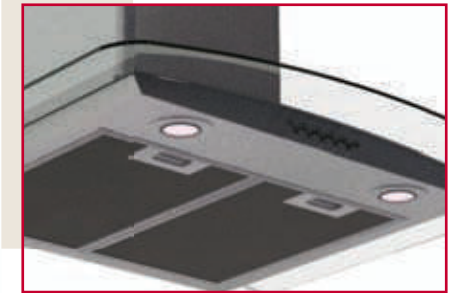


- * Wall Mounted Cooker Hood
- * 60 - 90 cm
- * Black, white colour or inox body
- * 600 - 1000m³/h
- * PB (Push Button) control
- * 3 power levels
- * Led lighting
- * Chimney outlet 150mm NRV System
- * 150/120 mm chimney outlet
- * Aluminium filter
- * Optional carbon filter

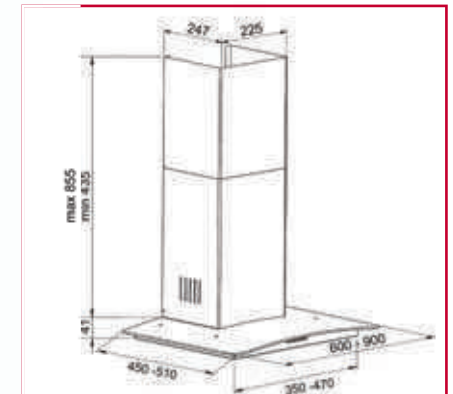


KAMINOX

CL10 / CL30 / CL40



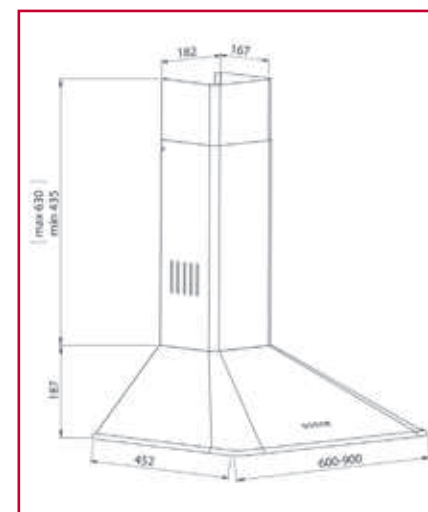
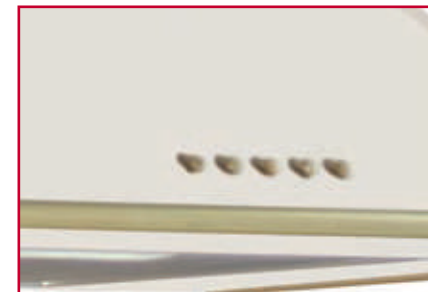
- * Wall Mounted Cooker Hood
- * 60 - 90 cm
- * Black, white colour or inox body
- * 600 - 1000m³/h
- * PB (Push Button) control
- * 3 power levels
- * Led lighting
- * Chimney outlet 150mm NRV System
- * 150/120 mm chimney outlet
- * Aluminium filter
- * Optional carbon filter



RONDA

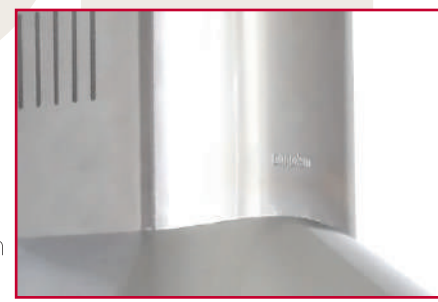
CK23

- * Wall Mounted Cooker Hood
- * 60 - 90 cm
- * Black, white, beige colour
- * 600 - 1000m³/h
- * PB (Push Button) control
- * 3 power levels
- * Led lighting
- * Chimney outlet 150mm NRV System
- * 150/120 mm chimney outlet
- * Aluminium filter
- * Optional carbon filter

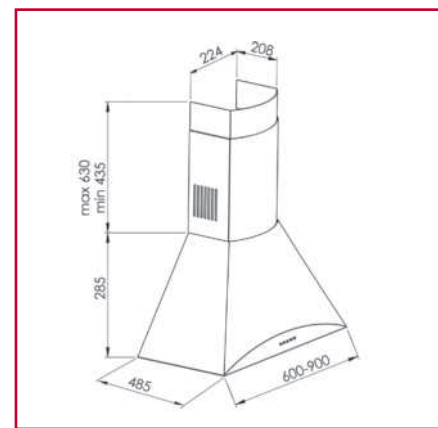


MODERNA

CK16



- * Wall Mounted Cooker Hood
- * 60 - 90 cm
- * Inox body
- * 600 - 1000m³/h
- * PB (Push Button) control
- * 3 power levels
- * Bulb lighting
- * Chimney outlet 150mm NRV System
- * 150/120 mm chimney outlet
- * Aluminium filter
- * Optional carbon filter

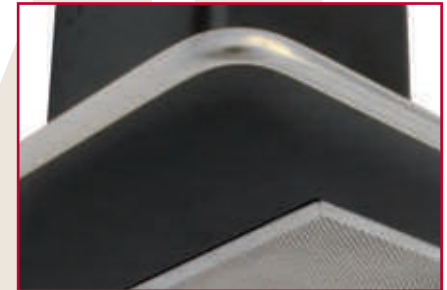
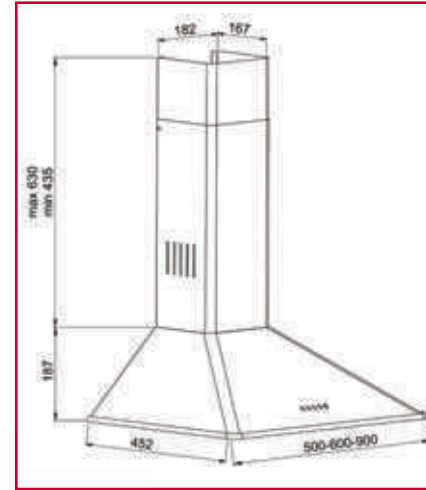


Isitsan Hoods can contribute to your kitchen more elegantly than any other hoods.

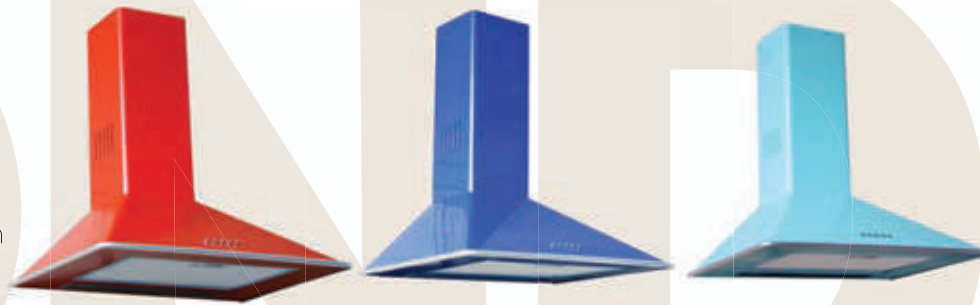



ONDA

CK12



- * Wall Mounted Cooker Hood
- * 50 - 60 - 90 cm
- * Black, white colour or Inox body
- * 500m³/h
- * PB (Push Button) control
- * 3 power levels
- * Bulb lighting
- * Chimney outlet 120mm NRV System
- * Aluminium filter
- * Optional carbon filter



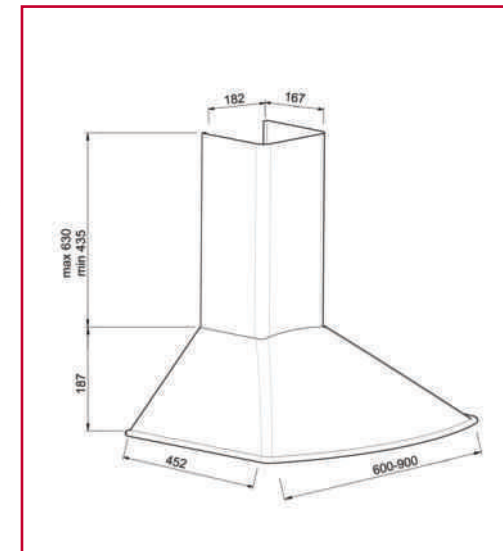


Each kitchen
definitely has to
have a Isitsan
Cooker Hood...

MONDO CK24

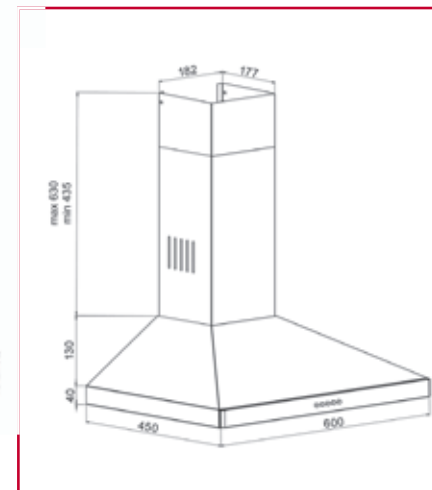
MONDO

- * Wall Mounted Cooker Hood
- * 60 - 90 cm
- * Black, white, beige colour
- * 600 - 1000m³/h
- * PB (Push Button) control
- * 3 power levels
- * Led lighting
- * Chimney outlet 150mm NRV System
- * 150/120 mm chimney outlet
- * Aluminium filter
- * Optional carbon filter



NEVA

CK22



- * Wall Mounted Cooker Hood
- * 60 - 90 cm
- * Inox body
- * 500m³/h
- * PB (Push Button) control
- * 3 power levels
- * Bulb lighting
- * Chimney outlet 120mm NRV System
- * Aluminium filter
- * Optional carbon filter



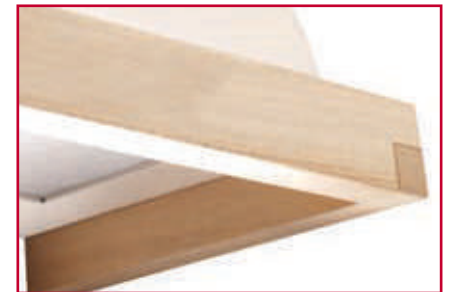
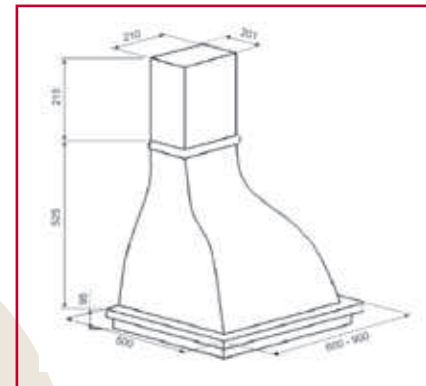
BORGO

CC13



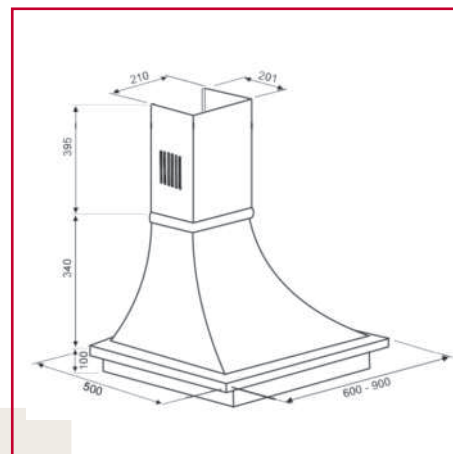
R

- * Wall Mounted Cooker Hood
- * 60 - 90 cm
- * Black, white, beige colour or inox body
- * 600 - 1000m³/h
- * PB (Push Button) control
- * 3 power levels
- * Led lighting
- * Chimney outlet 150mm NRV System
- * 150/120 mm chimney outlet
- * Aluminium filter
- * Optional carbon filter
- * Wood frame of unpainted linden tree



SELVA

CC12

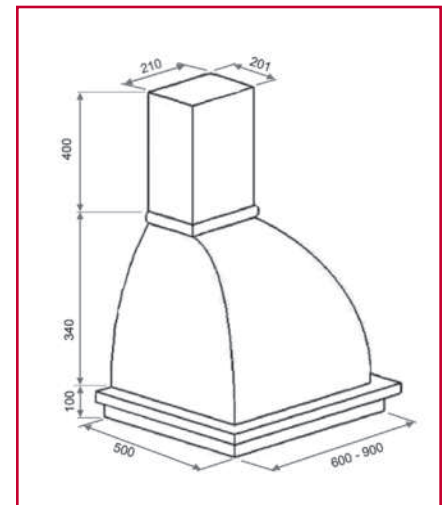


- * Wall Mounted Cooker Hood
- * 60 - 90 cm
- * Black, white, beige colour or inox body
- * 600 - 1000m³/h
- * PB (Push Button) control
- * 3 power levels
- * Led halogen lighting
- * Chimney outlet 150mm NRV System
- * 150/120 mm chimney outlet
- * Aluminium filter
- * Optional carbon filter
- * Wood frame of unpainted linden tree



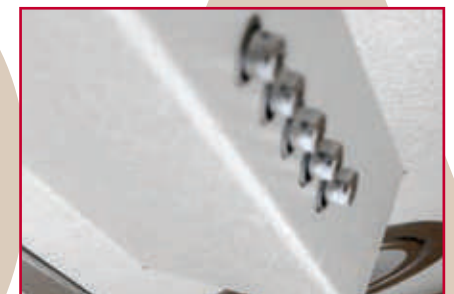
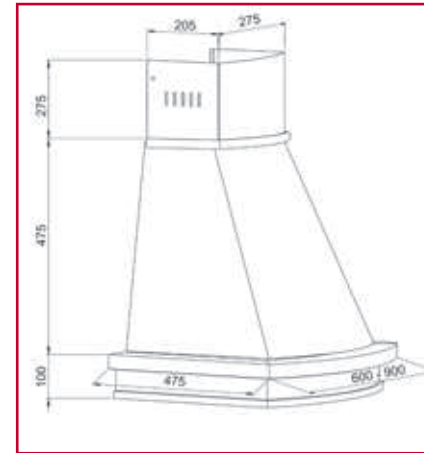
NEVE CC11

- * Wall Mounted Cooker Hood
- * 60 - 90 cm
- * Black, white, beige colour or inox body
- * 600 - 1000m³/h
- * PB (Push Button) control
- * 3 power levels
- * Led halogen lighting
- * Chimney outlet 150mm NRV System
- * 150/120 mm chimney outlet
- * Aluminium filter
- * Optional carbon filter
- * Wood frame of unpainted linden tree

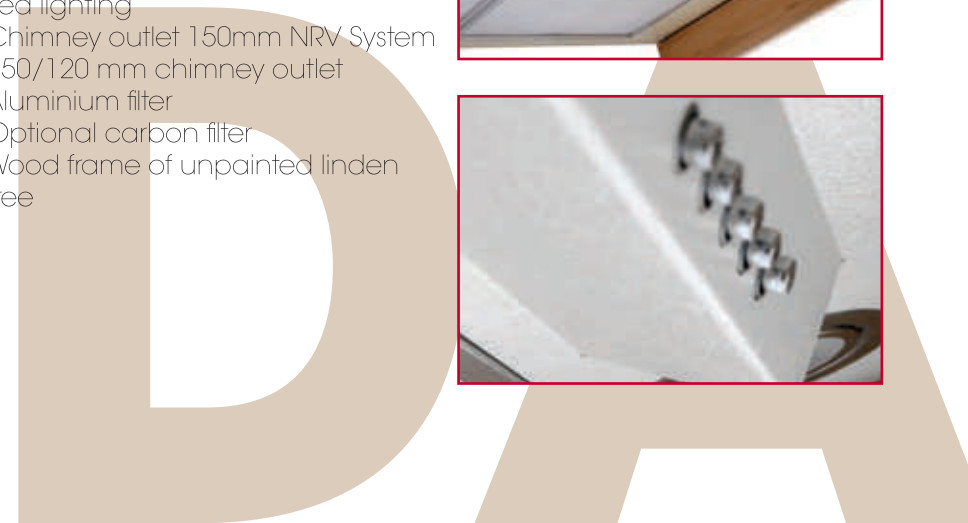


DAPHNE

CC10



- * Wall Mounted Cooker Hood
- * 60 - 90 cm
- * Black, white, beige colour or inox body
- * 600 - 1000m³/h
- * PB (Push Button) control
- * 3 power levels
- * Led lighting
- * Chimney outlet 150mm NRV System
- * 150/120 mm chimney outlet
- * Aluminium filter
- * Optional carbon filter
- * Wood frame of unpainted linden tree

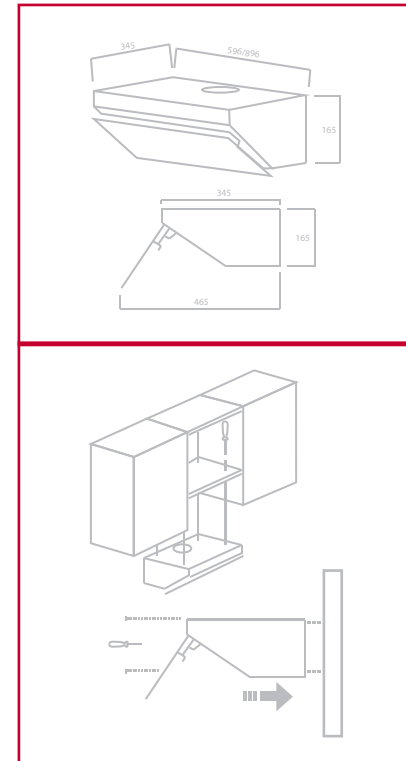


GLASSICO

CAK15



- * Wall Mounted Cooker Hood
- * 60 - 90 cm
- * Black, white, beige colour
- * 600 - 1000m³/h
- * PB (Push Button) control
- * 3 power levels
- * Led lighting
- * Chimney outlet 150mm NRV System
- * 150/120 mm chimney outlet
- * Aluminium filter
- * Optional carbon filter





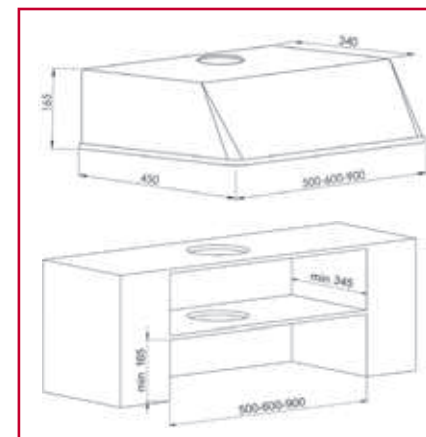
Well-matched, powerful
and quiet hoods with each
line of your kitchen.

ONDA SLIM

CAK12



- * Built-in aspirator
- * 60 - 90 cm
- * Black, white colour or inox body
- * 600 - 1000m³/h
- * PB (Push Button) control
- * 3 power levels
- * Led lighting
- * Chimney outlet 120mm NRV System
- * Aluminium filter
- * Optional carbon filter

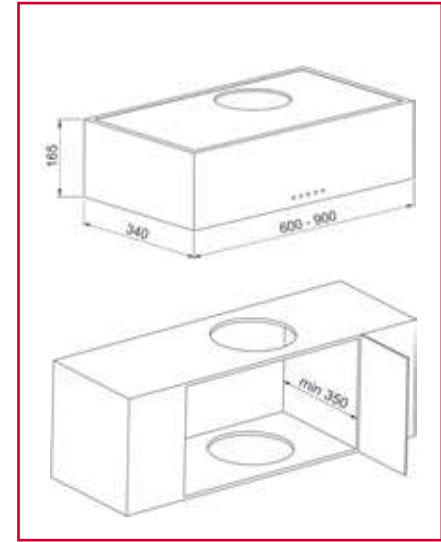


OGGI

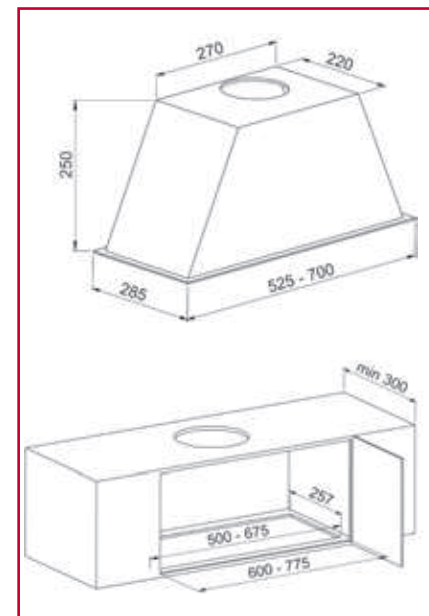
CA13



- * Built-in aspirator
- * 60 - 90 cm
- * Inox body
- * 500m³/h
- * PB (Push Button) control
- * 3 power levels
- * Bulb lighting
- * Chimney outlet 120mm NRV System
- * Aluminium filter
- * Optional carbon filter



INLINE CA16

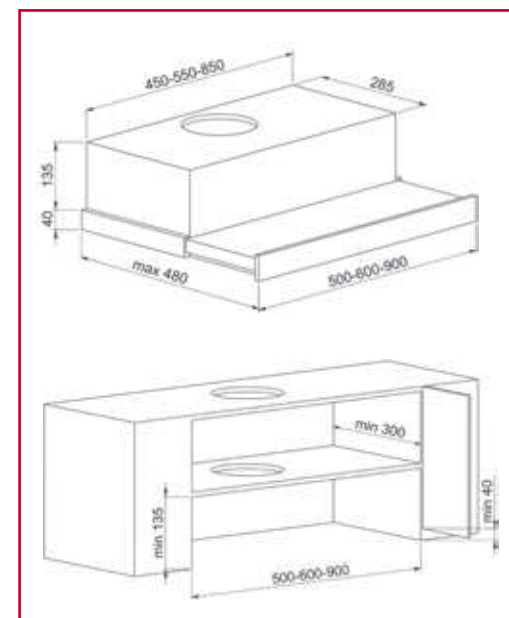


- * Built-in aspirator
- * 52 - 70 cm
- * Inox body
- * 600m³/h
- * PB (Push Button) control
- * 3 power levels
- * Led lighting
- * Chimney outlet 150mm NRV System
- * 150/120 mm chimney outlet
- * Aluminium filter
- * Optional carbon filter

INLINE

SLIMLUX

CA10 / CA30 / CA50

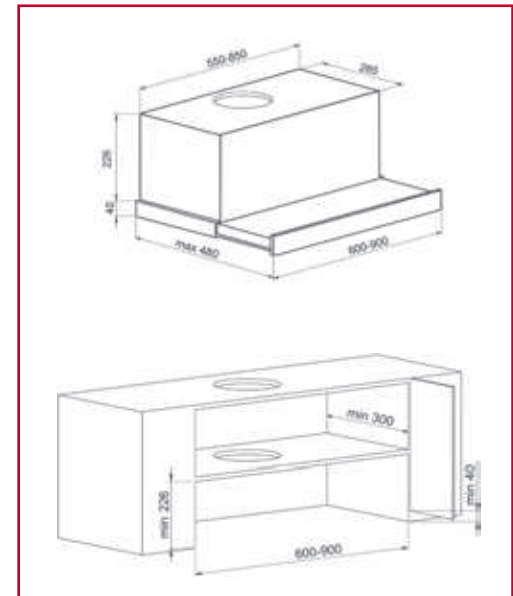


- * Built-in aspirator
- * 50 - 60 - 90 cm
- * Black, white, brown colour or inox body
- * 500m³/h
- * On/Off control
- * 2 power levels
- * Bulb lighting
- * Chimney outlet 100mm NRV System
- * Aluminium filter
- * Optional carbon filter

SLIMBOX CA20



- * Built-in aspirator
- * 60 - 90 cm
- * Inox body
- * 600m³/h
- * On/Off control
- * 2 power levels
- * Led lighting
- * Chimney outlet 100mm NRV System
- * 120/100 mm chimney outlet
- * Aluminium filter
- * Optional carbon filter

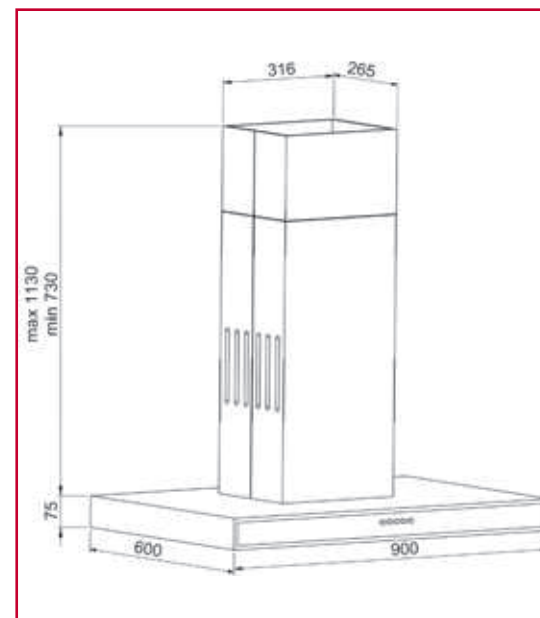


OPERA ADA

CS11 / CS24

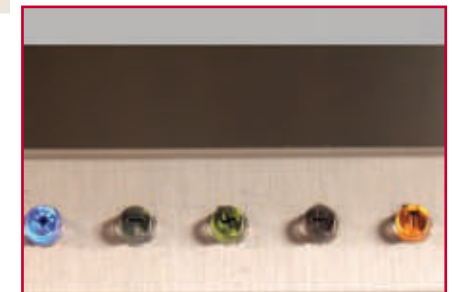
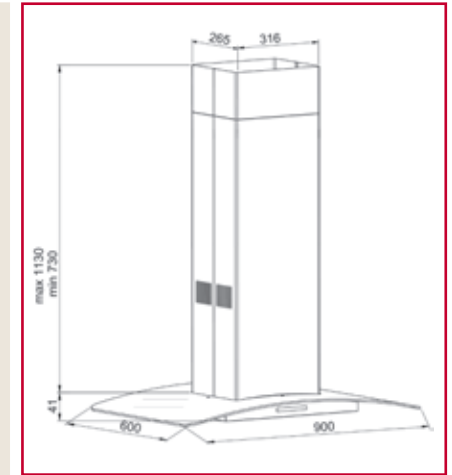


- * Island Cooker Hood
- * 90 cm
- * Inox body
- * 1000m³/h
- * Touch or HM (Multicolour) control
- * 5 power levels
- * Led lighting
- * Chimney outlet 150mm NRV System
- * 150/120 mm chimney outlet
- * Aluminium filter
- * Turbo - timer function
- * Filter saturation warning
- * Remote control
- * Optional carbon filter



KAMINOX ADA

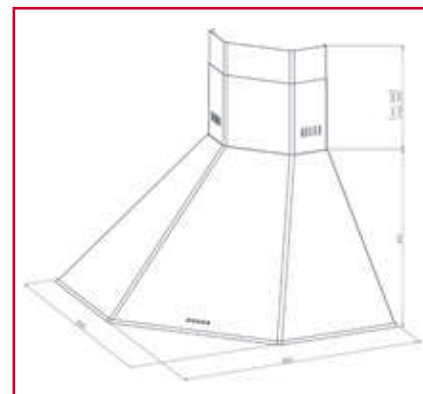
CS10



- * Island Cooker Hood
- * 90 cm
- * Inox body
- * 1000m³/h
- * HM (Multicolour) control
- * 5 power level
- * Led lighting
- * Chimney outlet 150mm NRV System
- * 150/120 mm chimney outlet
- * Aluminium filter
- * Turbo - timer function
- * Filter saturation warning
- * Optional carbon filter

RONDA CORNER

CRN23

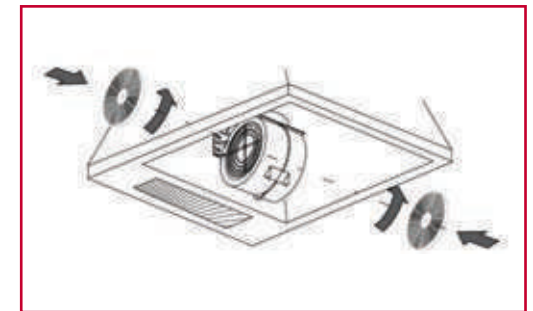
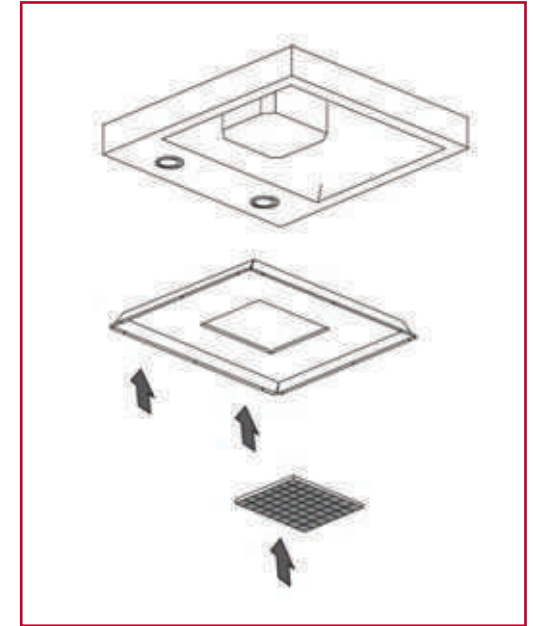
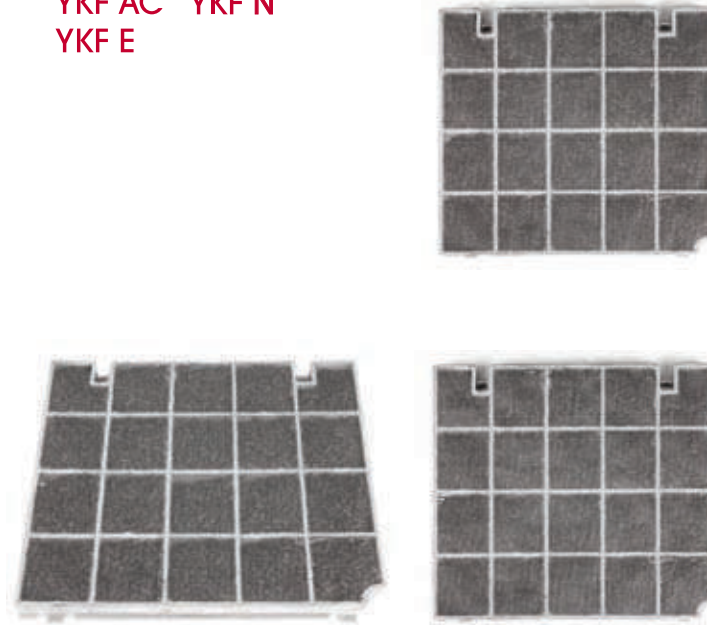
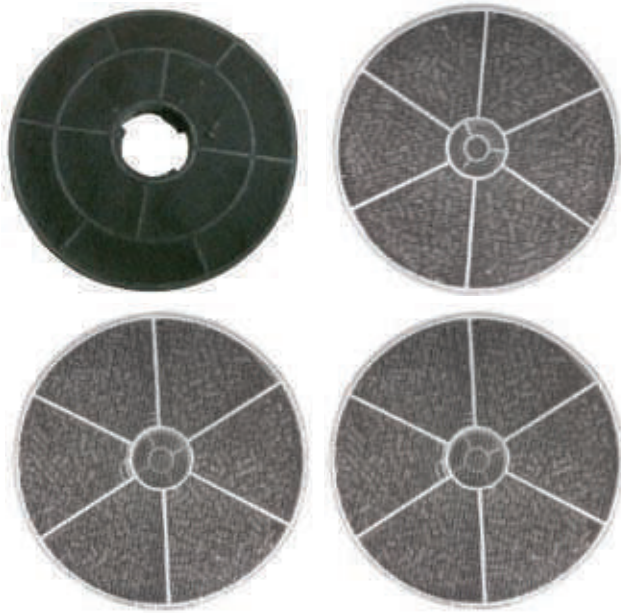


- * Wall Mounted Corner Cooker Hood
- * 85 cm
- * Black, white, beige colour or inox body
- * 600 - 1000m³/h
- * PB (Push Button) control
- * 3 power levels
- * Led lighting
- * Chimney outlet 150mm NRV System
- * 150/120 mm chimney outlet
- * Aluminium filter
- * Optional carbon filter



CARBON FILTER

YKF A YKF B
 YKF C YKF F
 YKF AC YKF N
 YKF E

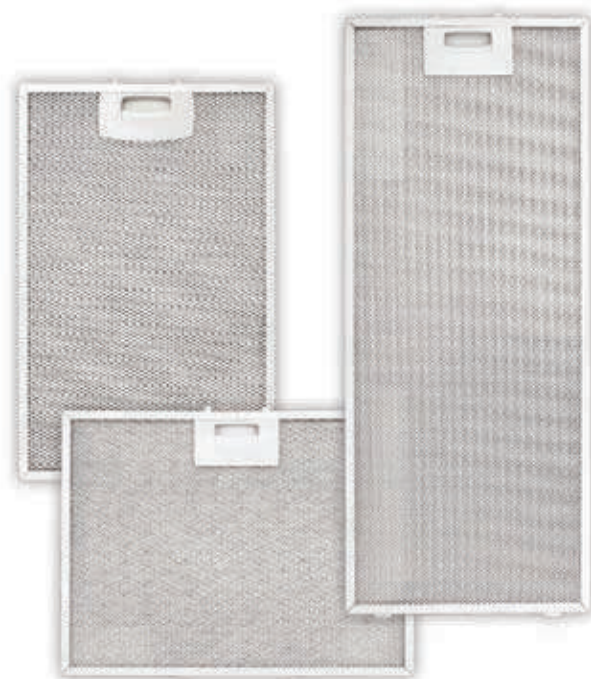


Chimneyless option is designed to be used in situations where running a chimney isn't possible. In a Chimneyless scenario, you will have to use a carbon filter. This filter will clean the air from odors, releasing the purified and clean air back into your kitchen through the vent holes located at the top of the extension flue. But, there are some disadvantages when using a Chimneyless system.

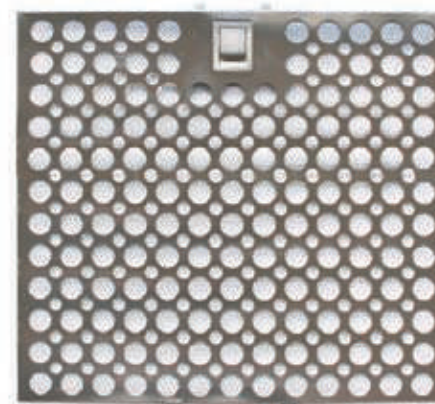
Should this be the case, it is very important to keep the vent holes exposed otherwise the air will be blocked in and the hood will not work properly. The use of carbon filters also reduces airflow capacity since the air filtering also uses the same vent holes. The carbon filter is installed immediately behind the aluminium grease filters. It is recommended that filters be changed every 6 months or, depending on their use, up to every year. Due to usage this could vary either way, up to a maximum of two years.

ALUMINIUM & INOX FILTER

YALF
YINX



Metallic filters supplied with Isitsan hoods are made from aluminium mesh. Once damaged or spoilt they should be replaced as they not only remove grease particles but also act as a fire wall against sudden ignition. They should always be kept clean



and grease free. Isitsan filters can be either washed by hand or in the dishwasher. If by hand the use of a cloth could damage the mesh, so it is best to agitate the mesh in warm soapy water, rinse and air dry.

HOBS

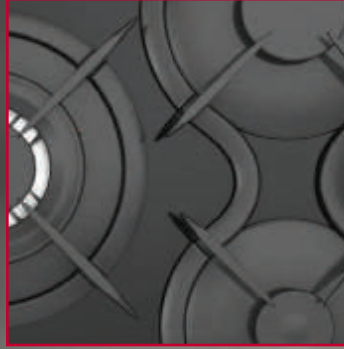
İTALYAN TASARIM

Isıtsan ürünlerinin tasarımı işbirliği içinde olduğumuz İtalya başta olmak üzere Avrupalı firmaların ortak değerlendirmeleri sonucunda ortaya çıkıyor. Böylece tasarımlarımız farklılaşıyor, çağdaş çizgileriyle özellikle tercih ediliyor.

MEKANİK ÜSTÜNLÜK

Ürünlerimizin tasarım farklılığını, mekanik gücüyle de destekliyoruz. İç aksamdan, motor gücüne, kullanılan malzemelerin niteliğinden, dayanıklılığına kalitemizi üretimin tüm aşamasına ve ürünlerimizin her bir parçasına ayrı ayrı yansıtıp toplam kaliteyi sizlere gönül rahat-





İTALYAN TASARIM

Isıtsan ürünlerinin tasarımı işbirliği içinde olduğumuz İtalya başta olmak üzere Avrupalı firmaların ortak değerlendirmeleri sonucunda ortaya çıkıyor. Böylece tasarımlarımız farklılaşıyor, çağdaş çizgileriyle özellikle tercih ediliyor.

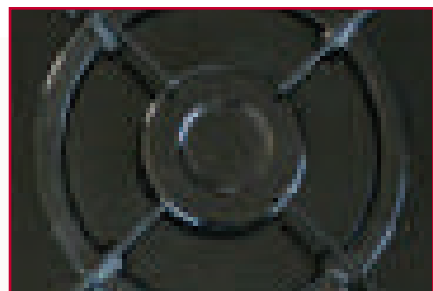
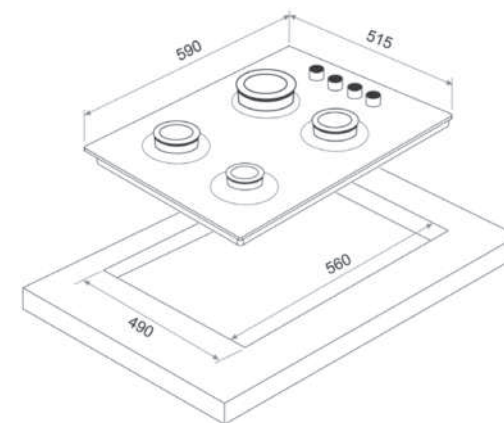
MEKANİK ÜSTÜNLÜK

Ürünlerimizin tasarım farklılığını, mekanik gücüyle de destekliyoruz. İç aksamdan, motor gücüne, kullanılan malzemelerin niteliğinden, dayanıklılığına kalitemizi üretimin tüm aşamasına ve ürünlerimizin her bir parçasına ayrı ayrı yansıtıp toplam kaliteyi sizlere gönül rahat-



NERA

HGA21



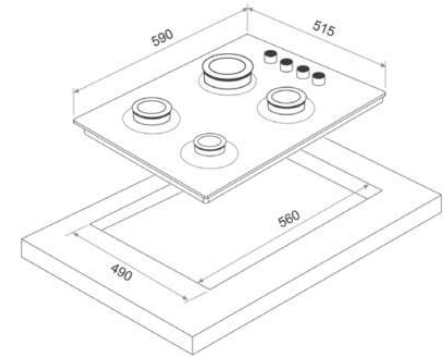
- * Built-in Glass Hob
- * 60 cm
- * Black or white color
- * Automatic ignition from knob
- * 8 mm tempered glass
- * Side control
- * 4 gas burners
- * 1 electric burner
- * Flame failure device
- * Suitable for LPG/ national gas
- * Enallemmed grill

CARINA

HXA35

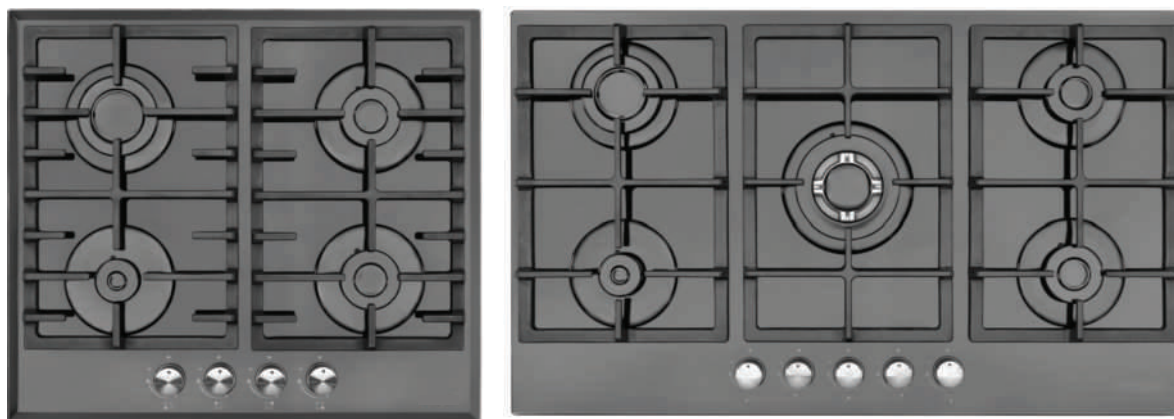
CARINA

- * Built-in Glass Hob
- * 60 cm
- * Black or white color
- * Automatic ignition from knob
- * 8 mm tempered glass
- * Side control
- * 4 gas burners
- * 1 electric burner
- * Flame failure device
- * Suitable for LPG/ national gas
- * Enallemed grill

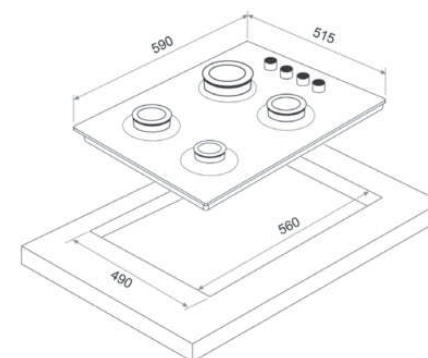


LARA

HGA35



- * Built-in Glass Hob
- * 60 cm
- * Black or white color
- * Automatic ignition from knob
- * 8 mm tempered glass
- * Side control
- * 4 gas burners
- * 1 electric burner
- * Flame failure device
- * Suitable for LPG/ national gas
- * Enamelled grill



LARA

MARE

HXA28



- * Built-in Glass Hob
- * 60 cm
- * Black or white color
- * Automatic ignition from knob
- * 8 mm tempered glass
- * Side control
- * 4 gas burners
- * 1 electric burner
- * Flame failure device
- * Suitable for LPG/ national gas
- * Enallemmed grill



RETRO-LINE

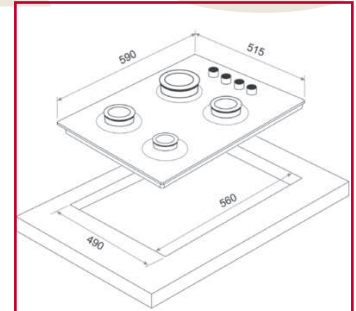
HXA36

RETRO

LINE

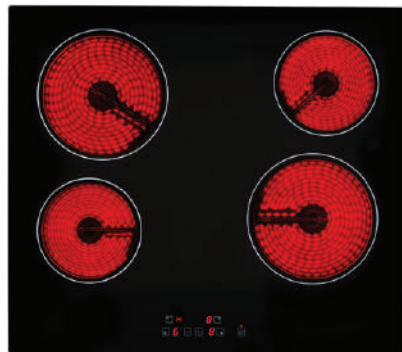
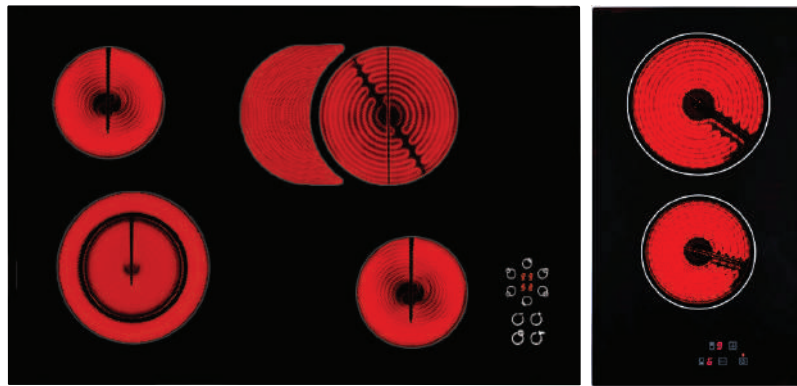
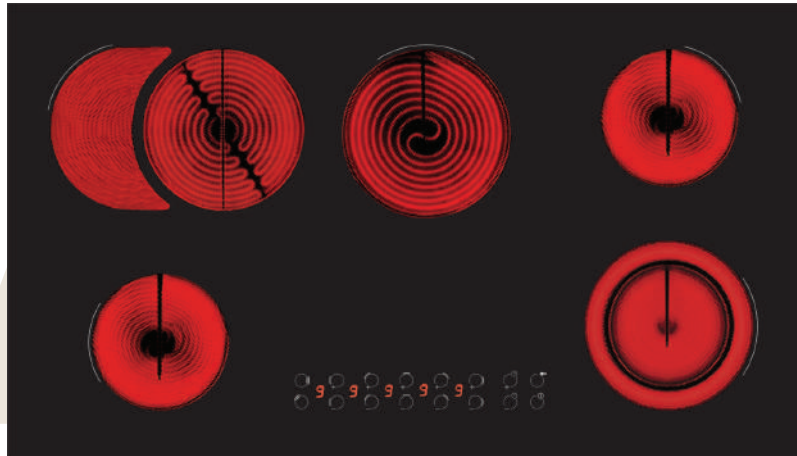


- * Built-in Glass Hob
- * 60 cm
- * Black or white color
- * Automatic ignition from knob
- * 8 mm tempered glass
- * Side control
- * 4 gas burners
- * 1 electric burner
- * Flame failure device
- * Suitable for LPG/ national gas
- * Enallemmed grill



LAVA

HVA11



- * Built-in Glass Hob
- * 60 cm
- * Black or white color
- * Automatic ignition from knob
- * 8 mm tempered glass
- * Side control
- * 4 gas burners
- * 1 electric burner
- * Flame failure device
- * Suitable for LPG/ national gas
- * Enamelled grill

DOMINO

HDA11



- * Built-in Glass Hob
- * 60 cm
- * Black or white color
- * Automatic ignition from knob
- * 8 mm tempered glass
- * Side control
- * 4 gas burners
- * 1 electric burner
- * Flame failure device
- * Suitable for LPG/ national gas
- * Enamelled grill

ISITSAN
BUILT IN APPLIANCES

www.isitsan.com

Tekeli Mah., 10023 Sokak No:13 İTOB Menderes/İzmir